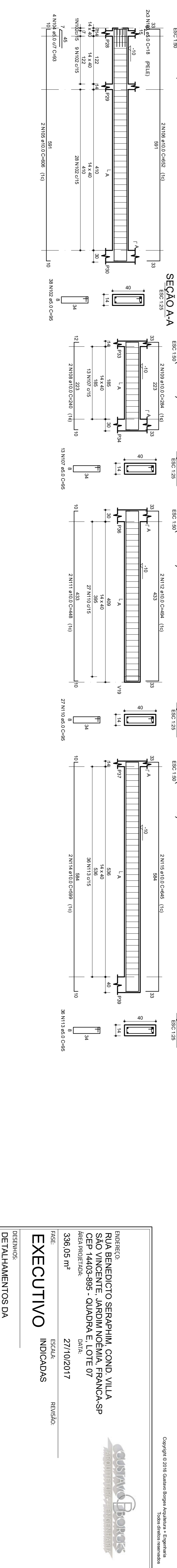
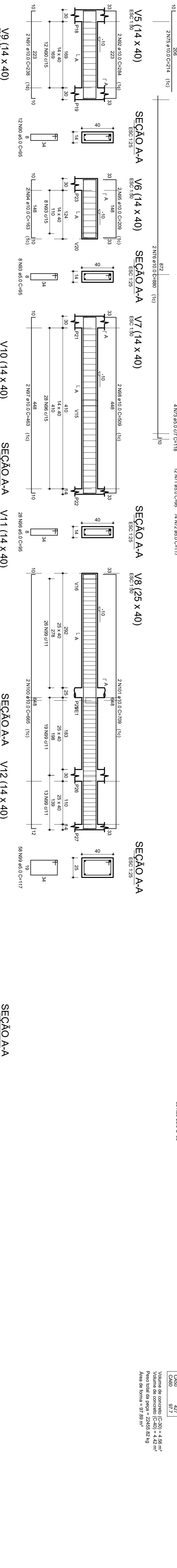
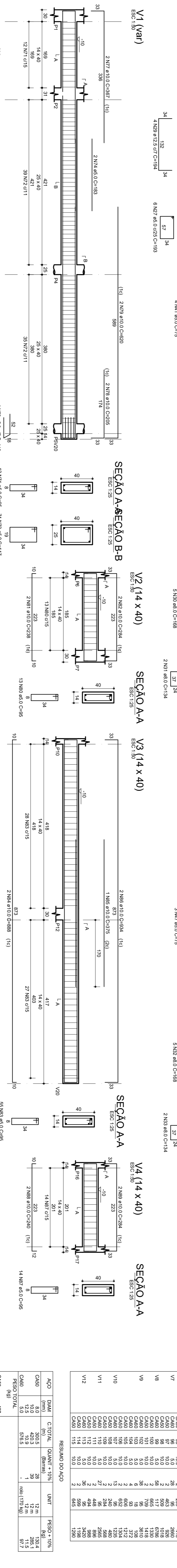
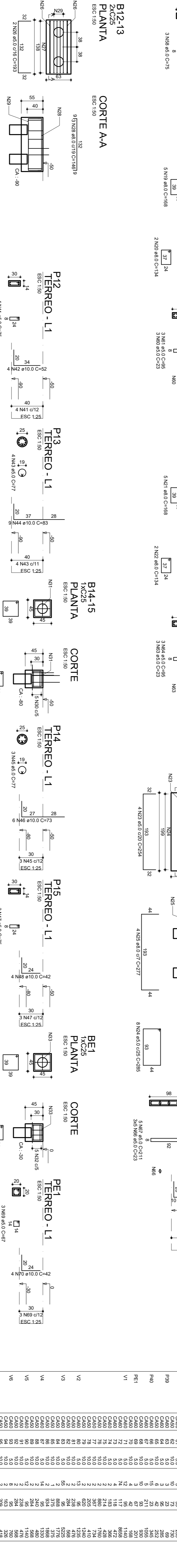
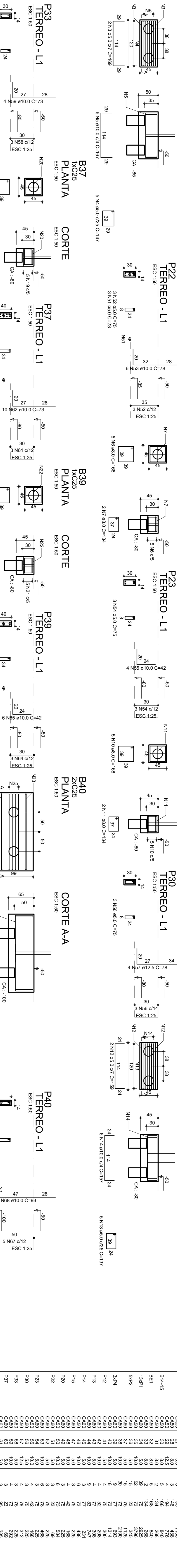
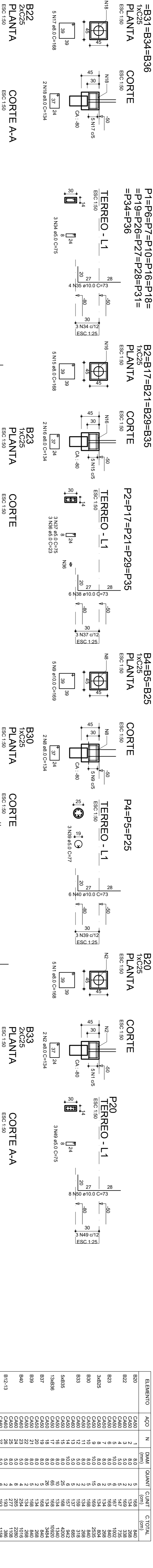


B1=B6=B7=B10=B16=B18=B19=B26=B27=B28
B31=B34=B36
B2=B17=B21=B29=B35
P1=P6=P7=P10=P16=P18
=P19=P26=P27=P28=P31=
=P4=P36
P2=P17=P21=P29=P35
P4=P5=P25
P40



ELEMENTO	QTD	N	DIM. (mm)	QUANT. (m³)	UNIT.	PESO (TON)	C.TOTAL
B20	1	1	8,0	1,0	1,0	1,0	1,0
B21	1	1	8,0	1,0	1,0	1,0	1,0
B22	1	1	8,0	1,0	1,0	1,0	1,0
B23	1	1	8,0	1,0	1,0	1,0	1,0
B24	1	1	8,0	1,0	1,0	1,0	1,0
B25	1	1	8,0	1,0	1,0	1,0	1,0
B26	1	1	8,0	1,0	1,0	1,0	1,0
B27	1	1	8,0	1,0	1,0	1,0	1,0
B28	1	1	8,0	1,0	1,0	1,0	1,0
B29	1	1	8,0	1,0	1,0	1,0	1,0
B30	1	1	8,0	1,0	1,0	1,0	1,0
B31	1	1	8,0	1,0	1,0	1,0	1,0
B32	1	1	8,0	1,0	1,0	1,0	1,0
B33	1	1	8,0	1,0	1,0	1,0	1,0
B34	1	1	8,0	1,0	1,0	1,0	1,0
B35	1	1	8,0	1,0	1,0	1,0	1,0
B36	1	1	8,0	1,0	1,0	1,0	1,0
B37	1	1	8,0	1,0	1,0	1,0	1,0
B38	1	1	8,0	1,0	1,0	1,0	1,0
B39	1	1	8,0	1,0	1,0	1,0	1,0
B40	1	1	8,0	1,0	1,0	1,0	1,0
B12-13	1	1	8,0	1,0	1,0	1,0	1,0
B14-15	1	1	8,0	1,0	1,0	1,0	1,0
B16	1	1	8,0	1,0	1,0	1,0	1,0
B17	1	1	8,0	1,0	1,0	1,0	1,0
B18	1	1	8,0	1,0	1,0	1,0	1,0
B19	1	1	8,0	1,0	1,0	1,0	1,0
B21	1	1	8,0	1,0	1,0	1,0	1,0
B22	1	1	8,0	1,0	1,0	1,0	1,0
B23	1	1	8,0	1,0	1,0	1,0	1,0
B24	1	1	8,0	1,0	1,0	1,0	1,0
B25	1	1	8,0	1,0	1,0	1,0	1,0
B26	1	1	8,0	1,0	1,0	1,0	1,0
B27	1	1	8,0	1,0	1,0	1,0	1,0
B28	1	1	8,0	1,0	1,0	1,0	1,0
B29	1	1	8,0	1,0	1,0	1,0	1,0
B30	1	1	8,0	1,0	1,0	1,0	1,0
B31	1	1	8,0	1,0	1,0	1,0	1,0
B32	1	1	8,0	1,0	1,0	1,0	1,0
B33	1	1	8,0	1,0	1,0	1,0	1,0
B34	1	1	8,0	1,0	1,0	1,0	1,0
B35	1	1	8,0	1,0	1,0	1,0	1,0
B36	1	1	8,0	1,0	1,0	1,0	1,0
B37	1	1	8,0	1,0	1,0	1,0	1,0
B38	1	1	8,0	1,0	1,0	1,0	1,0
B39	1	1	8,0	1,0	1,0	1,0	1,0
B40	1	1	8,0	1,0	1,0	1,0	1,0

RESUMO DO AÇO

DIAM	C/TOTAL	QUANT. (%)	UNIT.	PESO (TON)
ACØ 10,0	200,5	39	12,41	239,4
ACØ 12,0	420,3	39	12,41	238,1
ACØ 14,0	578,5	39	12,41	287,7
PESO TOTAL				765,2
ACØ 10,0	427			87,7

Volume de concreto (C30) = 4,96 m³
Volume de concreto (C40) = 4,42 m³
Volume de concreto (C50) = 0,52 m³
Área de ferragem = 0,78 m²

ENDEREÇO:
RUA BENEDICTO SERAPHIM, COND. VILLA
SAO VINCENTE, JARDIM NOEMIA, FRANCA-SP
CEP 14403-895 - QUADRA E LOTE 07
ÁREA PROJETADA:
336,05 m²
DATA:
27/10/2017
REVISO:

EXECUTIVO INDICADAS
FOLHA ES-05